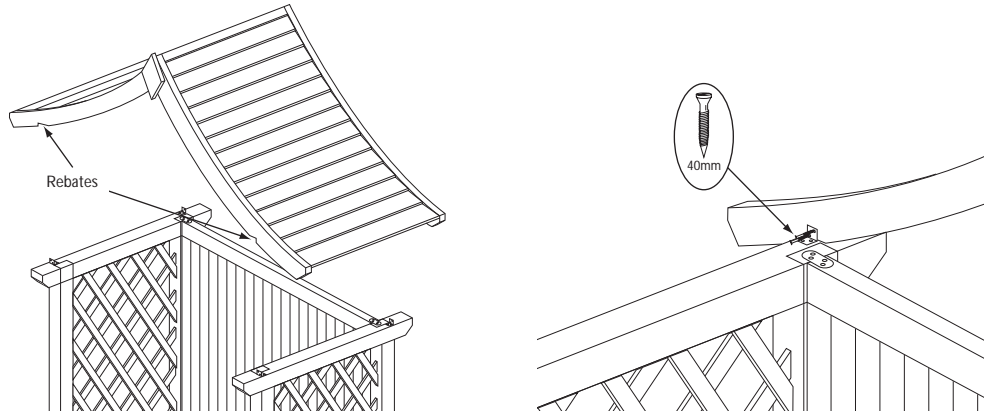
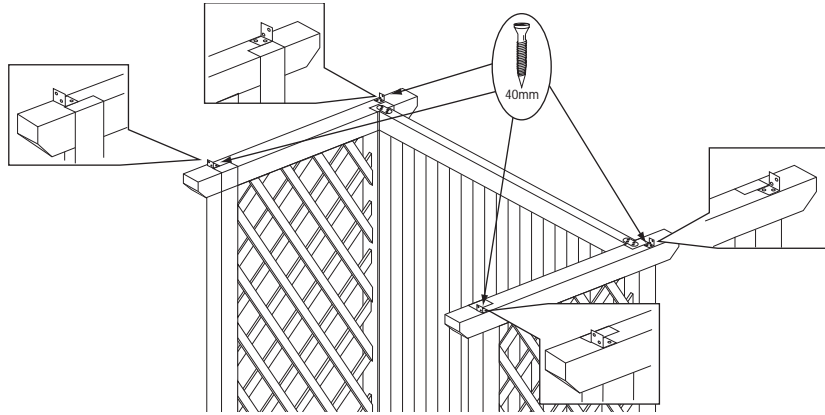


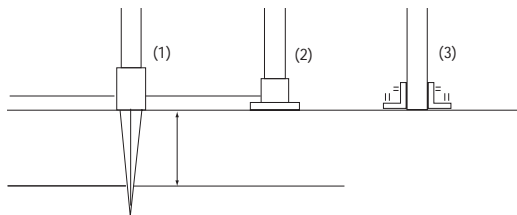
5. Roof assembly to uprights

Fix the L-brackets to the uprights using 2 x 40mm screws per bracket. Lift roof onto uprights so that rebates in the roof rafters rest on the uprights. Secure roof to L-bracket using 2 x 40mm screws.



6. Securing the posts

Place the arbour in the desired location. For a more permanent base fixture use a metal base fixing to secure the bottom of the upright posts into the ground (1 & 2). If securing to decking or concrete base use metal L-brackets (3).



- (1) Stake
- (2) Flatbed
- (3) L-Bracket

If in doubt of any aspect regarding the assembly, use or safety of your arbour please contact us :

Help Line (Normal Office Hours) 01829 261 121

ROWLINSON GARDEN PRODUCTS LIMITED
Unit 2 Green Lane
Wardle Nr. Nantwich
Cheshire
CW5 6BN
Tel : 01829 262 080
Fax : 01829 262 089

We constantly improve the quality of our products, occasionally the components may differ from the components shown and are only correct at time of printing. We reserve the right to change the specification of our products without prior notice.

2006 © Rowlinson Garden Products Ltd

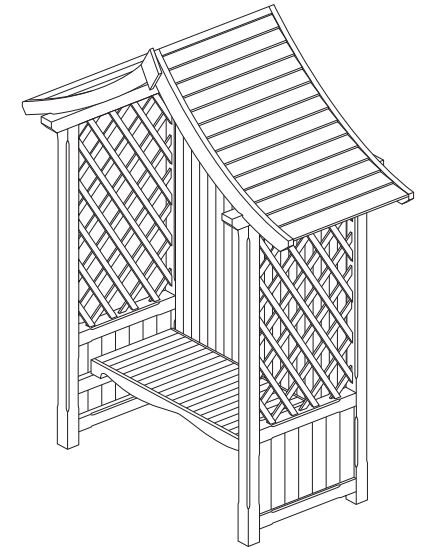
Tenbury Arbour

English SS068E

Assembly Instructions

Before assembly

- We recommend that time is taken to read the instructions before starting assembly, then follow the easy step by step guide. The instruction sheet is only a guide to the assembly. Certain items may not be shown to scale.
- Check all components prior to assembly
- This product should be assembled by no less than 2 people
- Drill all components where indicated



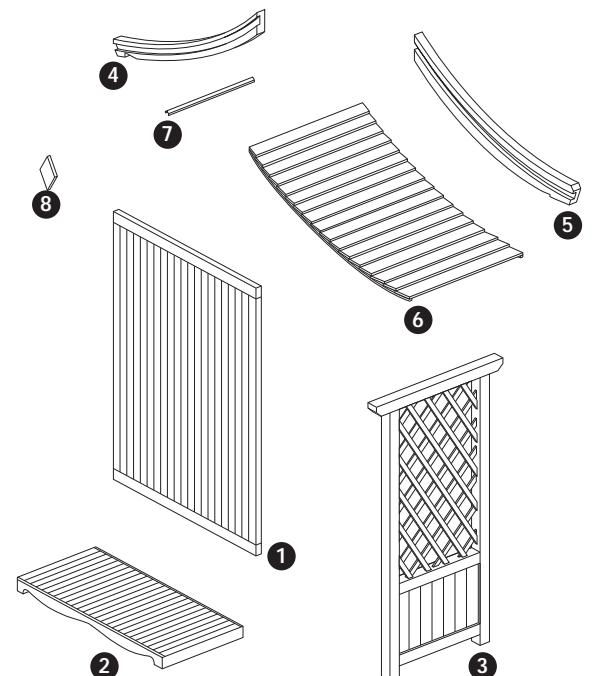
Recommended tools for assembly

- Cross head screw driver
- Drill with 4mm diameter
- Step ladder

No.	Components	Qty.
1	Back Panel	1
2	Seat	1
3	Uprights	2
4	FR/BL* roof rafters	2
5	FL/BR* roof rafters	2
6	Roof slat sections	2
7	Roof coverstrip	1
8	Finials	2

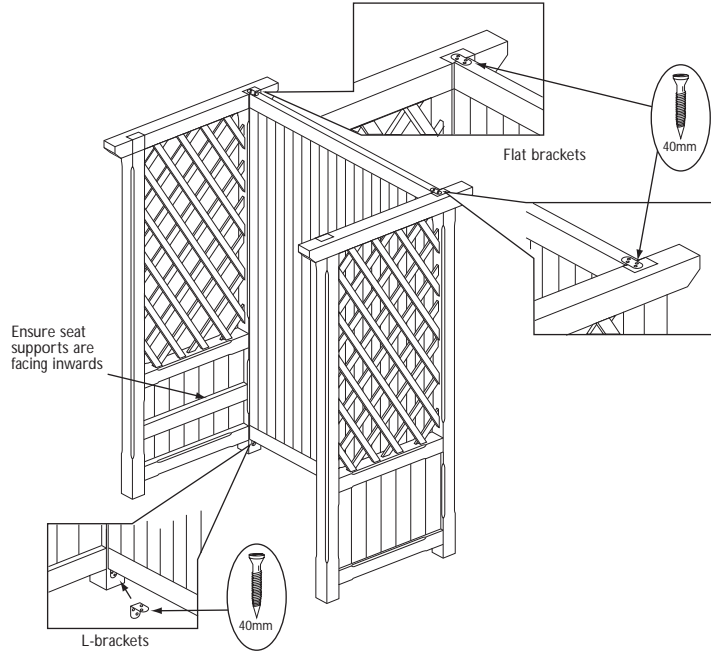
*FR/BL = Front right/back left
FL/BR = Front left/back right

No.	Fixing kit	Qty.
9	40mm screws	68
10	Flat brackets	2
11	L-brackets	8



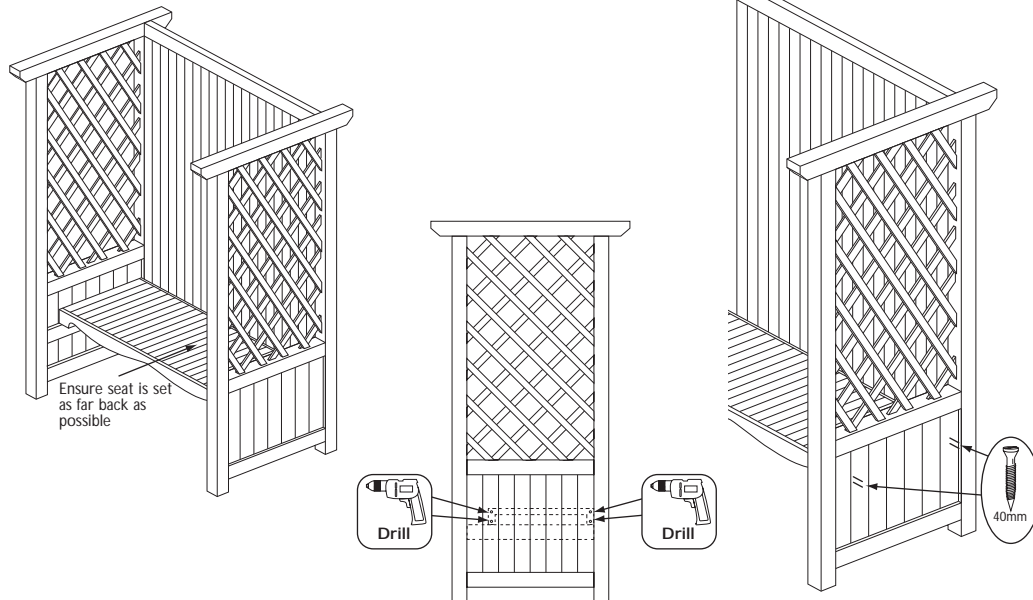
1. Back panel to uprights

Position the back panel between the 2 uprights. Align the top of the back with the tops of the uprights and secure using the flat brackets with 4 x 40mm screws per bracket. To fix the bottom corners of the back panel to the uprights use L-brackets and 4 x 40mm screws per bracket.



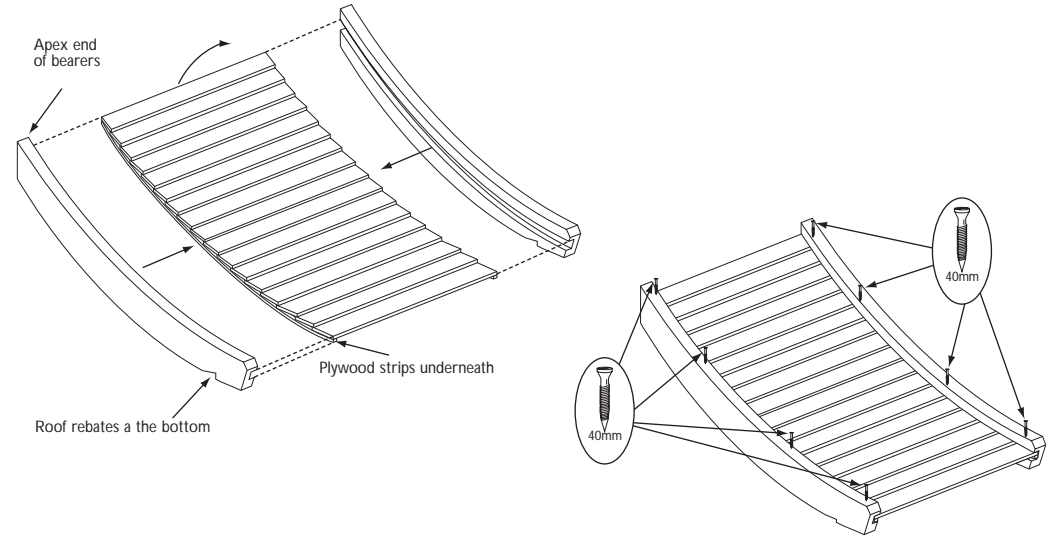
2. Attaching the seat

Place seat between the uprights so that it rests on the seat supports, make sure the shaped edge is at the front and the seat is to the very back of the support. Drill 4 holes in each of the upright as shown. Using 4 x 40mm screws, screw through the drilled holes into the ends of the seat bearers.



3. Roof section assembly

Bend a roof slat section and fit it into the rebates of 2 bearers as shown below. Secure using 4 x 40mm screws per bearer, screw through the top of the bearer into the slats. Create a second roof section in the same way.



4. Roof assembly

On a roof section attach an L-bracket to the underside of each roof bearer at the apex end using 2 x 40mm screws per bracket. Evenly rest the second roof section against the first and attach using 2 x 40mm screws through the L-brackets. Drill 4 holes in each finial. Centre finial so it overlaps both roof rafters and secure using 4 x 40mm screws per finial. Drill 2 holes at each end of the roof coverstrip and secure on the roof ridge using 4 x 40mm screws.

